

## V250 SERIES CASEMENT

### FEATURES

- ◇ **Commercial Framing System**
  - 3 1/4" main frame
  - 0.060" wall thickness of frame, 0.055" wall thickness of sash
- ◇ **Enhanced Design**
  - Mitered and welded corners
- ◇ **Glazing**
  - 3/4" insulated glass
- ◇ **Hardware**
  - Multi-point locking system with single latch
- ◇ **Screen**
  - Extruded aluminum screen frame with BetterVue™ mesh with WaterShed® technology
- ◇ **Colors**
  - White or Sandstone vinyl (interior/exterior)

### BENEFITS

- ◇ The capacity to match exterior colors for unique project facades
- ◇ The ability to facilitate large sizes for taller and wider window openings

### PERFORMANCE

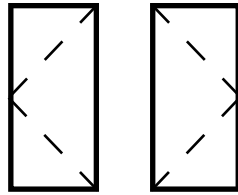
- ◇ Structural & Thermal (test reports or thermal simulations available upon request)

Model	Casement
Test Rating	LC-35
Structural Load P.S.F.	52.5
Air at 50 MPH (cfm/ft <sup>2</sup> )	<0.30
Water (No Penetration) P.S.F.	5.25
U-Value (ranges based on multiple Low-E/Argon combinations)	0.21 - 0.32
SHGC (ranges based on multiple Low-E/Argon combinations)	0.11 - 0.43

Window test size: 36" × 72"  
Operating Force: 7 lbf (Initiate motion), <1 lbf (Latches)

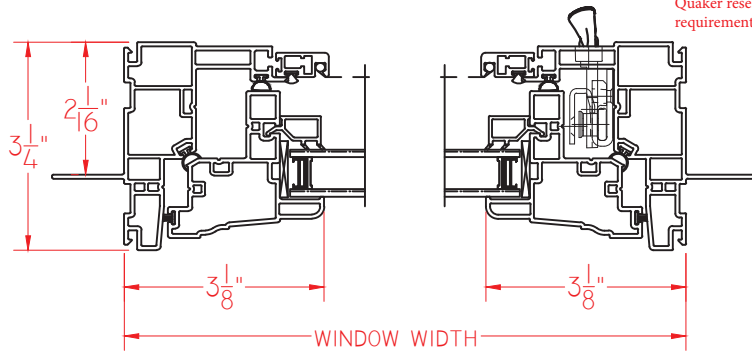
### OPTIONS

- ◇ **Available Configurations**
  - Project-out casement
- ◇ **Muntin Choices**
  - Internal or simulated divided lites available
- ◇ **Hardware**
  - Egress hardware
  - Limited travel hardware
- ◇ **Nailing Fin**
- ◇ **Screen**
  - Extruded aluminum screen frame with aluminum wire mesh
  - Extruded aluminum screen frame with sunscreen mesh
  - Extruded aluminum screen frame with stainless steel 0.009" thickness mesh
- ◇ **Glazing**
  - Multiple Low-E and argon glazing choices
  - Triple glazing (Energy TG)
  - Capillary tubes
  - Wide variety of glazing, tinting and thickness options
- ◇ **Panning & Trim Choices**
  - Wide variety of panning, receptor and trim available
- ◇ **Mulling**
  - Wide variety of structural mulls
- ◇ **Colors**
  - High-performance Textured Black laminate (interior/exterior)
  - High-performance Textured Black laminate (exterior only with White vinyl or Textured Black laminate interior)
  - High-performance Textured Dark Bronze laminate (exterior only with White vinyl interior)
  - Twelve painted exterior colors (with White or Sandstone vinyl interior)
  - Unlimited custom painted exterior colors

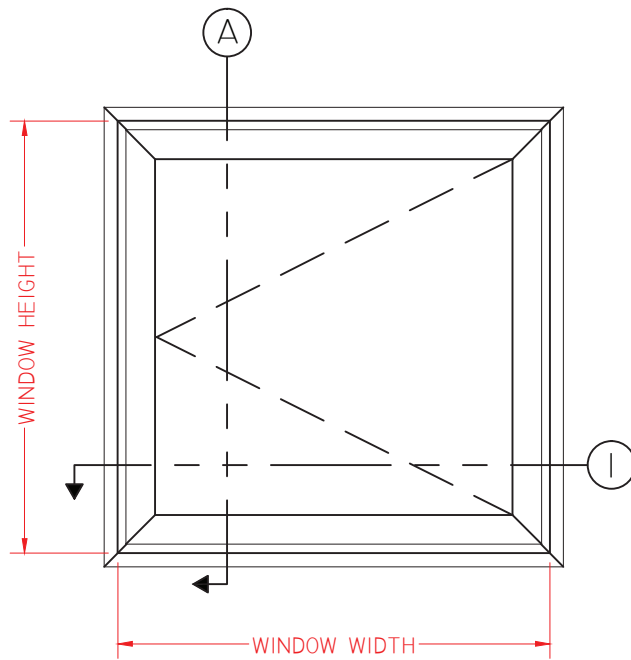


# V250 CASEMENT

This document contains confidential and proprietary information intended for the private use of Quaker.  
© 2016 Quaker Window Products Co., INC. All rights reserved.  
Quaker reserves the right to change any/all designs without notice. Due to periodic re-certification requirements, result shown may vary.

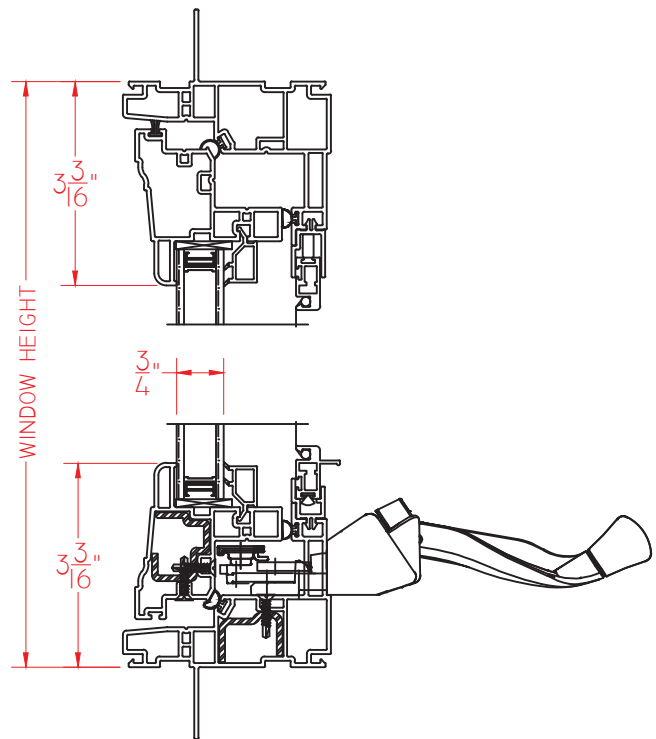


① HORIZONTAL  
CROSS SECTION



ELEVATION SCALE 3/4" = 1'-0"

Ⓐ VERTICAL  
CROSS SECTION



SCALE 1:3